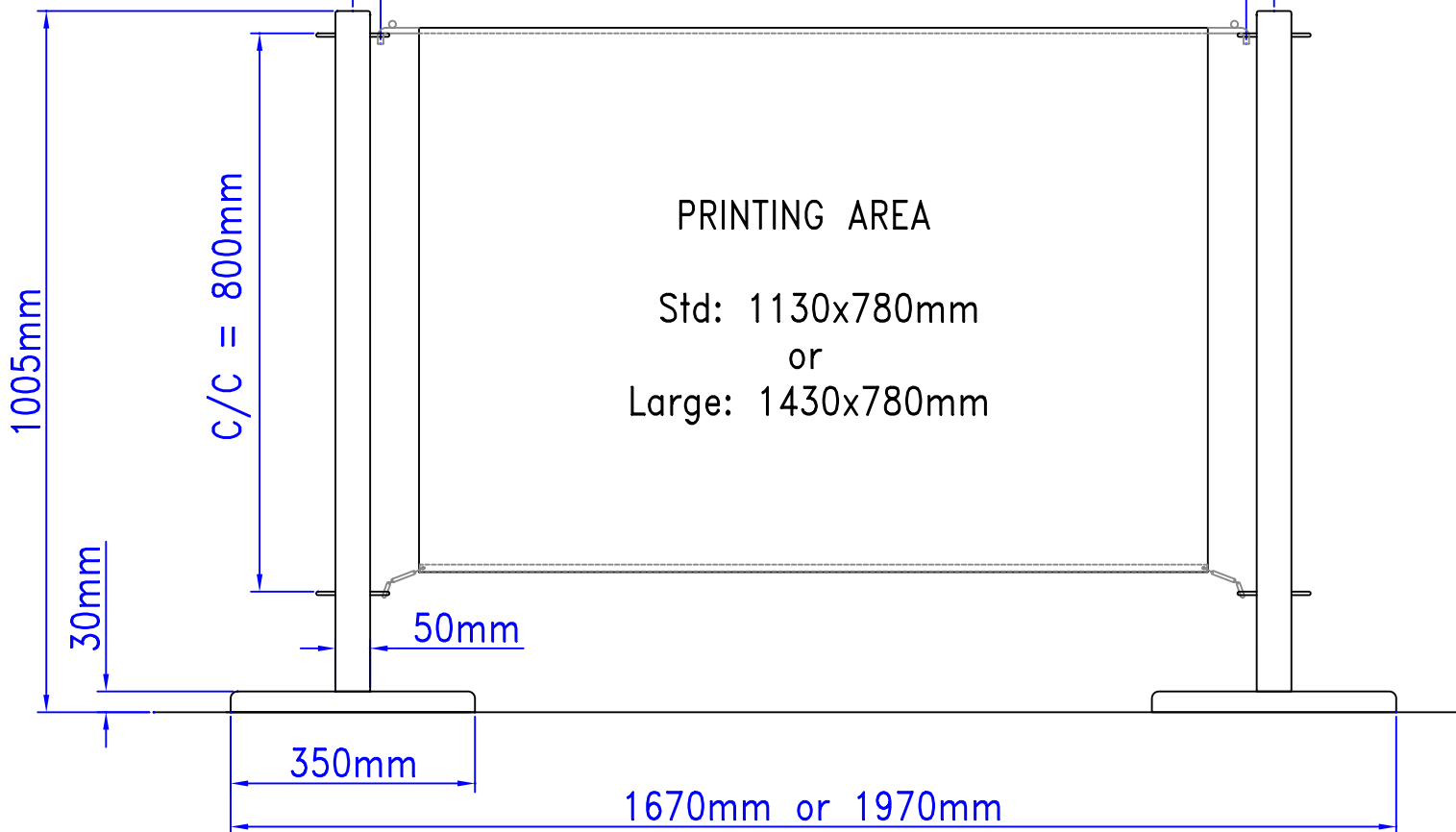


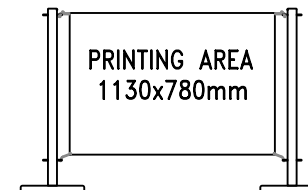
[ACTUAL BANNER SHOWN: 1130 X 780]

Post C/C = 1320mm or 1620mm [± 10 mm]

Top Banner Rod = 1240mm or 1540mm

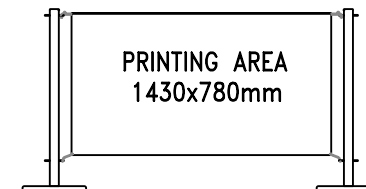


STANDARD BANNER



PRINTING AREA RATIO = 1:1.45

LARGE BANNER



PLEASE NOTE: MAY BE AFFECTED BY STRONG WINDS

PRINTING AREA RATIO = 1:1.83

DATE: 04.10.06

DRAWN BY SRB

APPROVED: MST

Banner Barrier Side Elevation Dimensions
[Std=1130 & Large=1430]

SCALE: NTS

DRG NO. BANNER-SIDE

